



规格书 Specification

品名/Term:卡侬三芯母插头

XLR connector-3 pin female plug

型号/Model:SW3XFT-B (Black)

承认签章/Admit signature					
供应商确认/supplier			客户公司承认/customer		
工程师 engineer	审核 audit	批准 approval	工程师 engineer	审核 audit	批准 approval
LXQ	WXW	CJY			
盖章签署 signature			盖章签署 signature		
日期/date			日期/date		

一、产品外观 (Product Appearance)

SW3XFT-B



二、产品特性 (Product features)

☑ 单手操作, 一键拔插

One hand can operation, push the button to pull it out

☑ 接触点镀金, 外壳镀黑

The contact pin is gold-plated, the shell plating black

☑ 锌合金外壳, 确保其在任何使用现场都可以承受重力压迫

Zinc alloy shell to ensure that it can withstand gravity in any field of use

☑ 防护等级 IP40

Protection class IP40

☑ 线径范围: 3.5-8mm

Wire diameter range: 3.5-8mm

三、技术参数 (Technical parameters)

1. 产品参数 (Product parameters)

连接类型(Connection Type)	XLR
公母性(Gender)	Female

2. 电气参数 (Electrical parameters)

触点间电容 (Capacitance between contacts)	$\leq 4\text{pF}$
接触电阻 (Contact resistance)	$\leq 3\text{m}\Omega$
介电强度 (Dielectric strength)	1.5kVdc
绝缘电阻 (Insulation resistance)	$> 1.5\text{G}\Omega$ (initial)
每触点间额定电流(Rated current per contact)	10A
额定电压(Rated voltage)	$< 50\text{V}$

3.机械参数 (Mechanical parameters)

电缆线径 (Sign Cable O.D.)	3.5-8mm
插入力 (Insertion force)	≤ 40N
拔出力 (Withdrawal force)	≤ 40N
使用寿命 (Service life)	> 1000 mating cycles
电线尺寸 (Wire size)	Max. 2.5 mm ²
电线尺寸 (Wire size)	Max. 14 AWG
锁定装置 (Locking device)	Latch lock

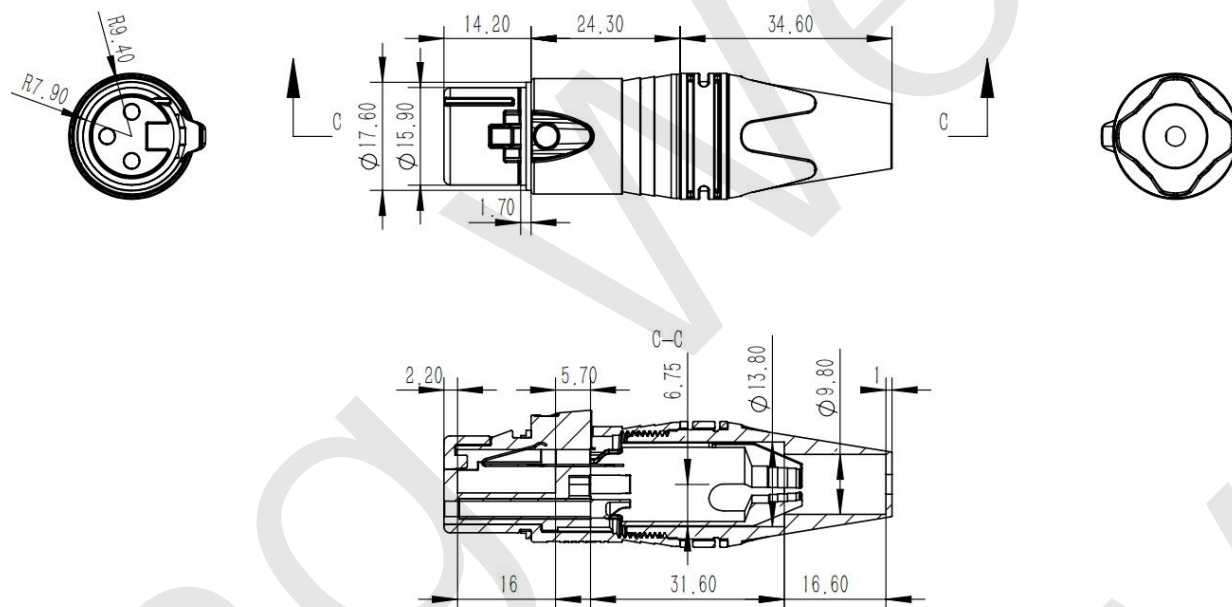
4.材料和环境 (Material and environmental parameters)

尾套 (Boot)	TPU
触点 (Contacts)	Cu alloy
触点电镀 (Contact plating)	Au
内芯 (Insert)	Polyamide (PA66 +30 % GF)
外壳 (Shell)	Zinc diecast (ZnAl4Cu1)
外壳电镀(Shell plating)	Cr Black
线夹(Strain relief)	Polyacetal (POM)
阻燃等级 (Flame-retardant grade)	UL 94 HB
防护等级 (Protection class)	IP40
使用温度范围(Temperature range)	-20°Cto +80°C

四、产品外形尺寸 (Product Profile)

SW3XFT-B

Unit:mm



五、组装图 (Assembly reference)

